

1 2 3 4 5 6 7 8

A

B

C

D

E

F

A

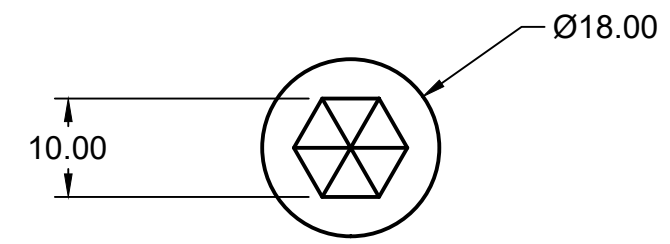
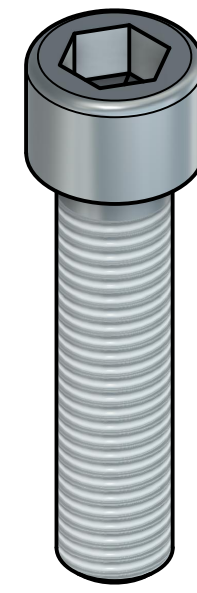
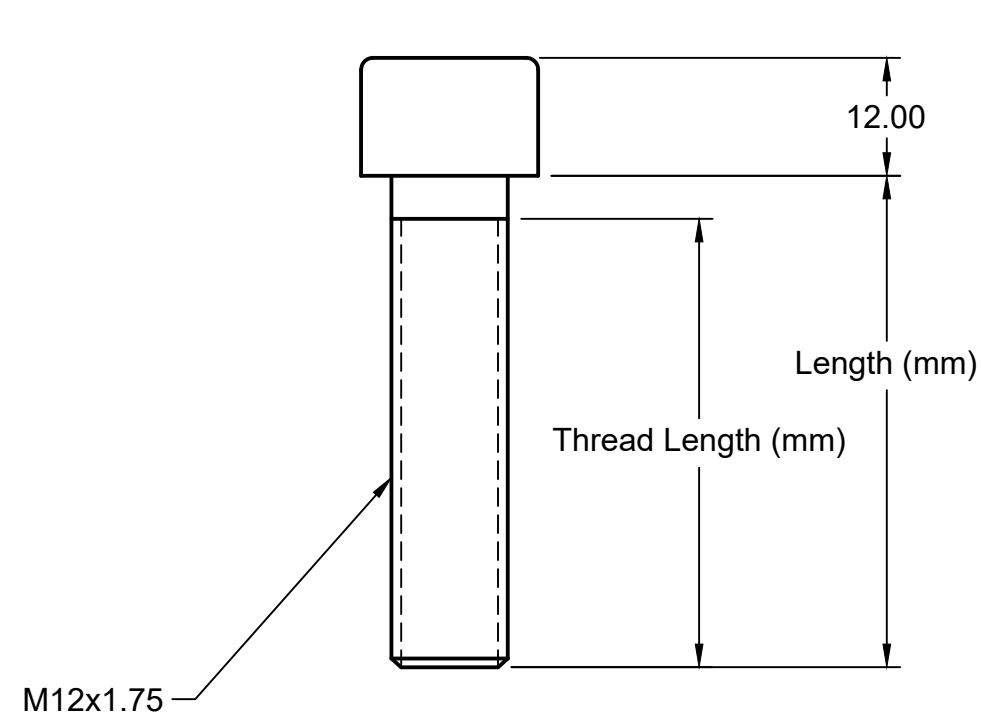
B


C

D

E

F



NOTE: All units in mm	Product	M12 Socket Cap Head Bolt - DIN 912 - A2 Stainless Steel
	Product Code	CHB-M12
	Date created	30/6/2024
	Drawing by	Ryan Lock

1 2 3 4 5 6 7 8