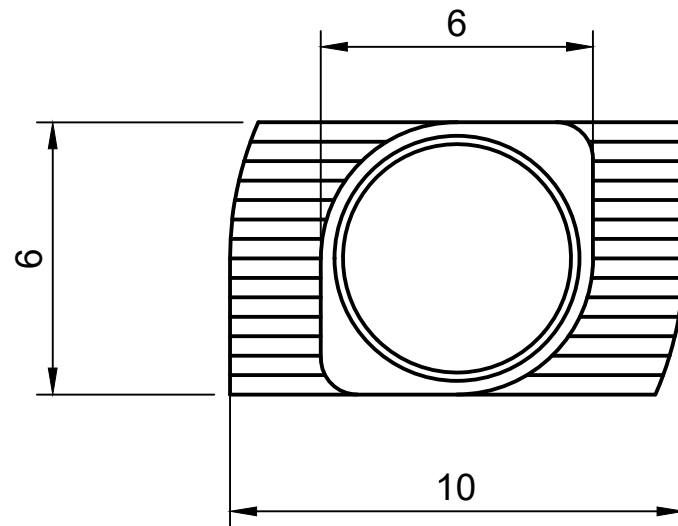


M5x0.8

A-A



Note: All units in mm

Product

Drop In Nut - T/V-Slot - 20 Series - M5

Product Code

DIN-20-M5

Date created

10/3/2024

Drawing by

Ryan Lock

