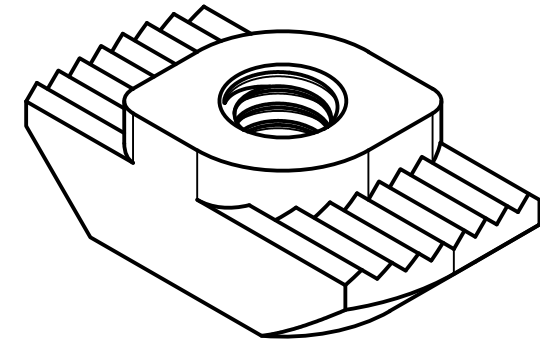
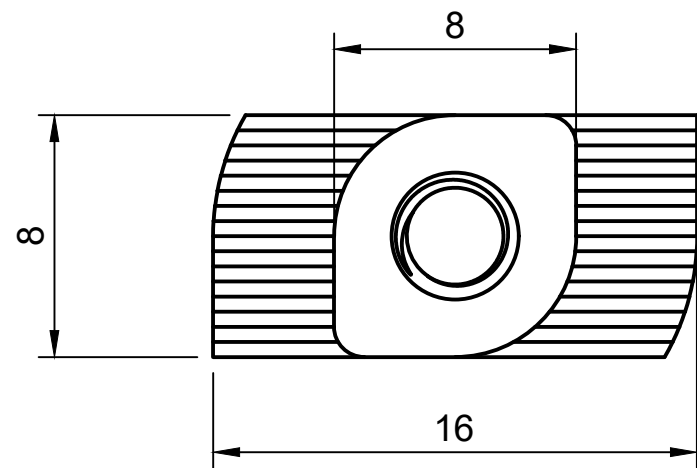


A-A

M4x0.7



Note: All units in mm

Product

Drop In Nut - T-Slot - 30 Series - M4



Product Code

DIN-30-M4

Date created

10/6/2024

Drawing by

Ryan Lock