

1 2 3 4 5 6 7 8

A

B

C

D

E

F

A

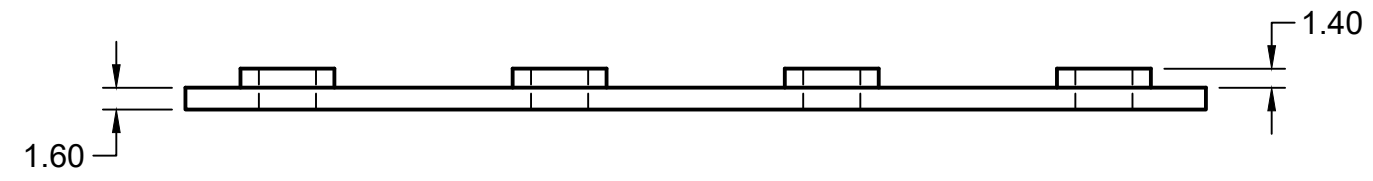
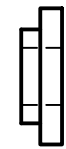
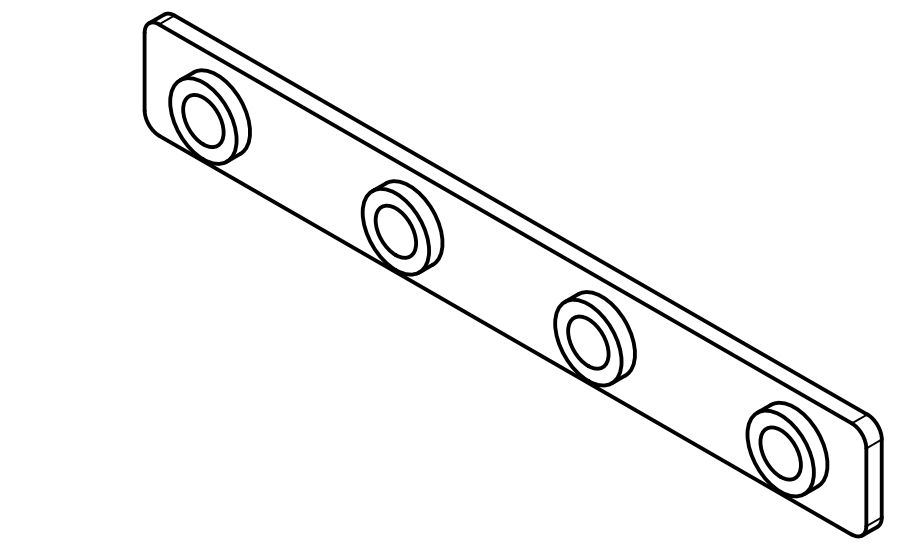
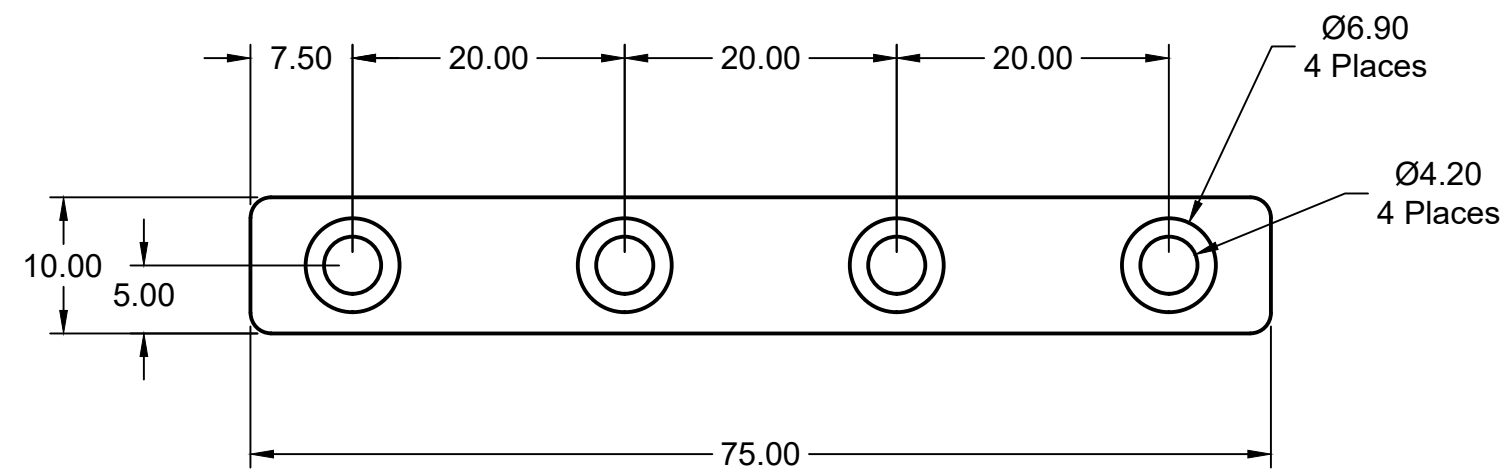
B


C

D

E

F



	NOTE: All units in mm	Product	4 Hole Profile Inner Link Connector
		Product Code	ILC-P-4-F
		Date created	3/8/2024
		Drawing by	Ryan Lock

1 2 3 4 5 6 7 8