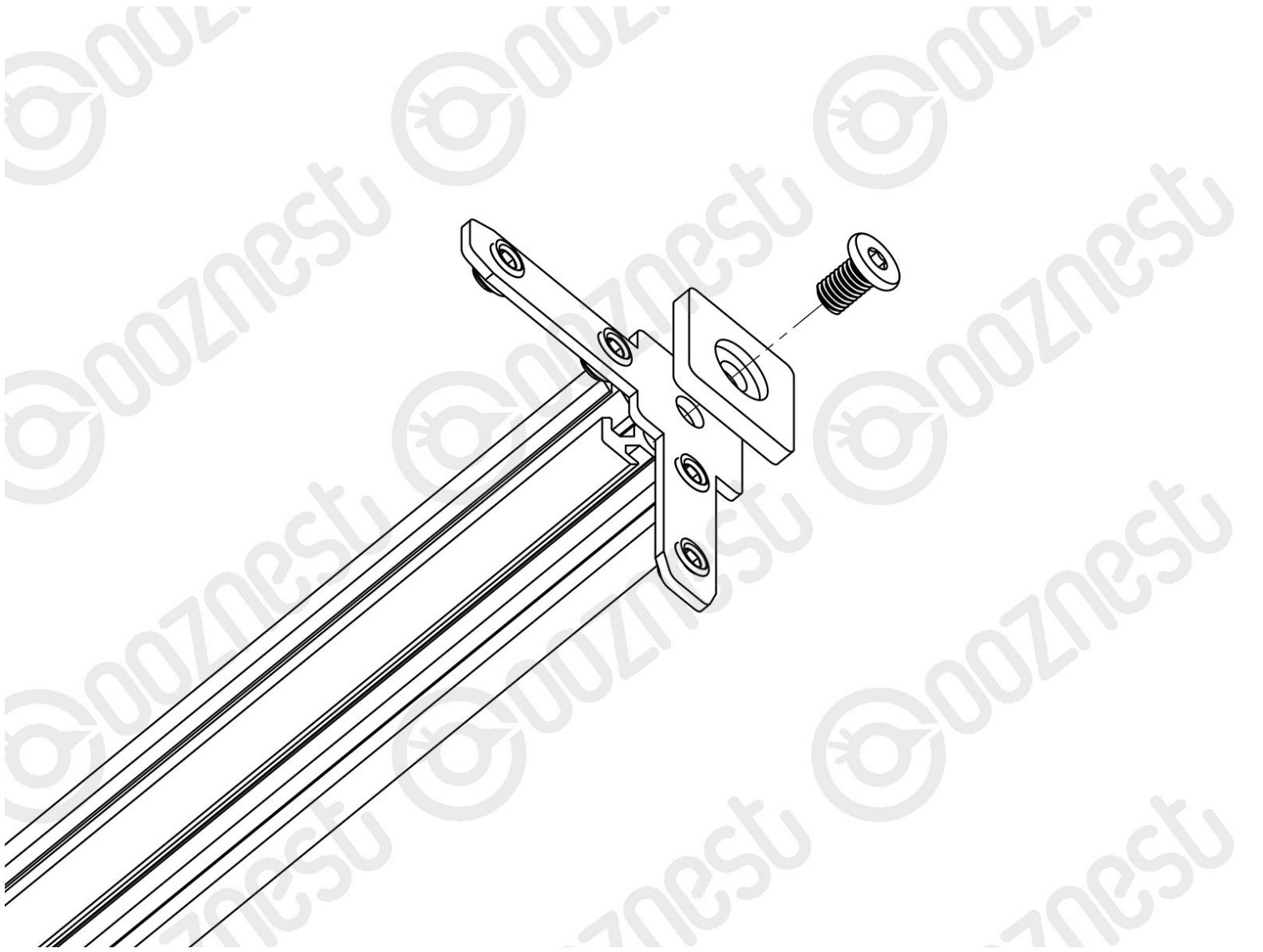


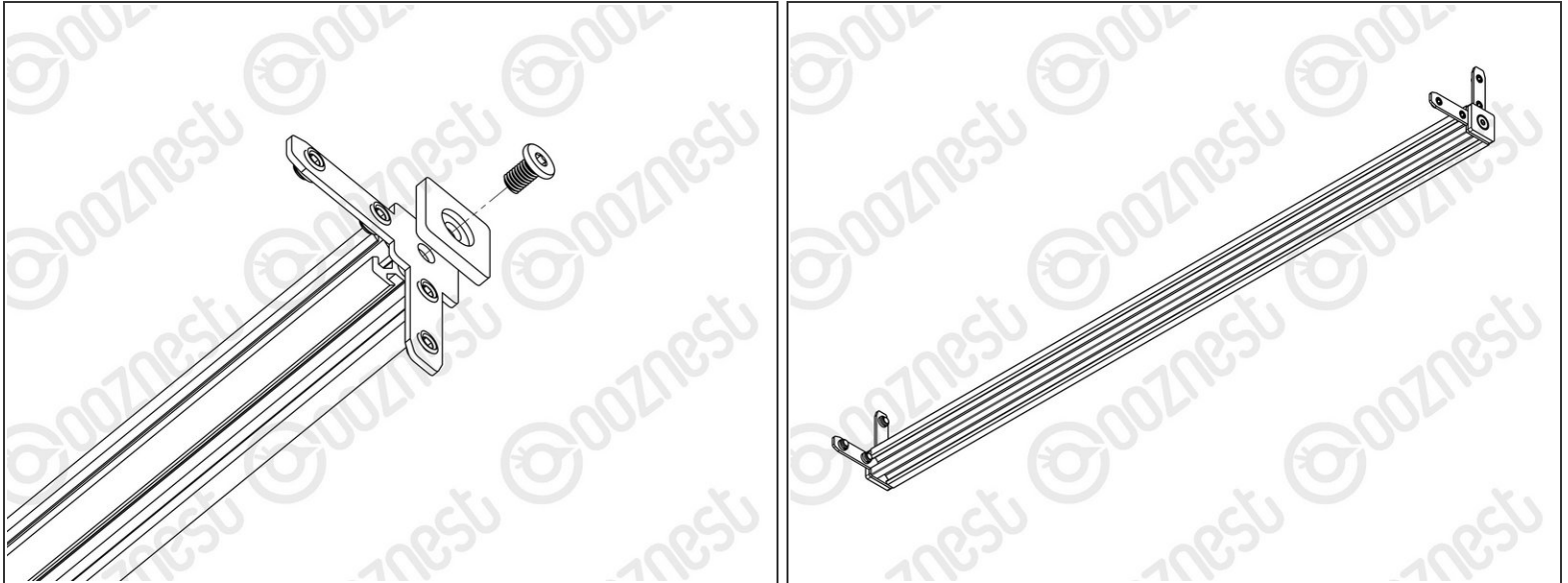


## 3. Assembling The Main Frame

Written By: Robert

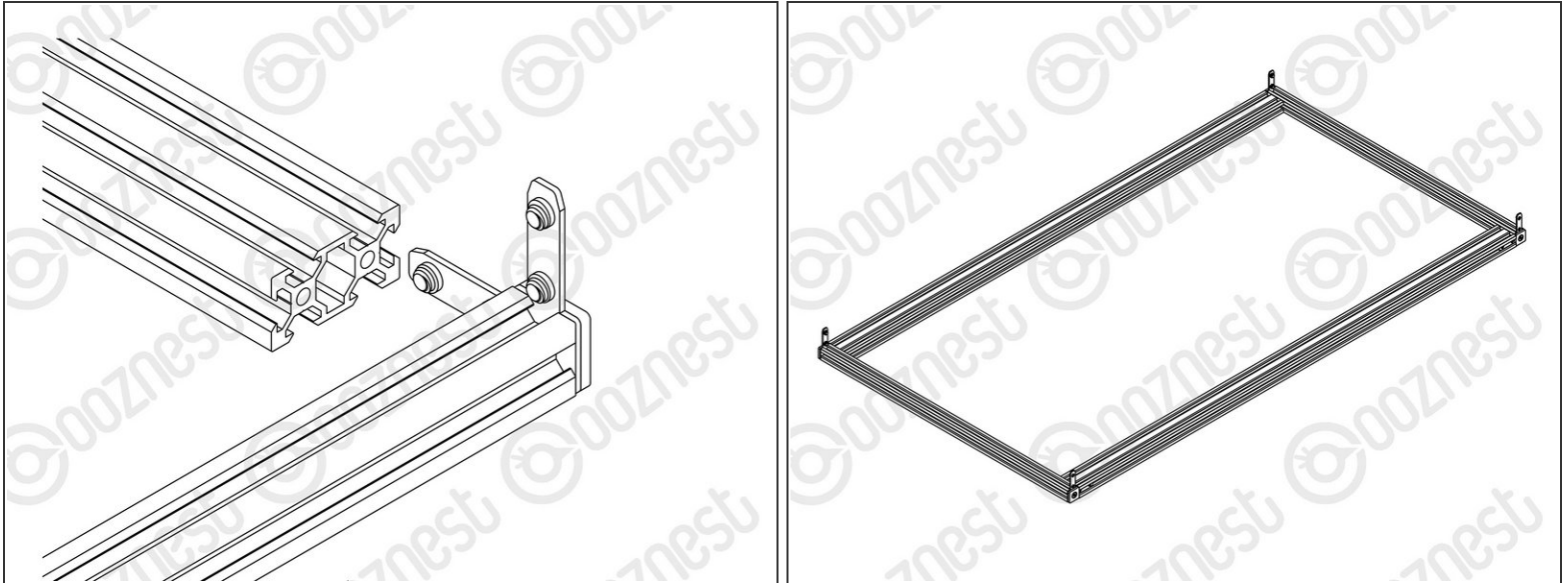


## Step 1 — Maker-Links



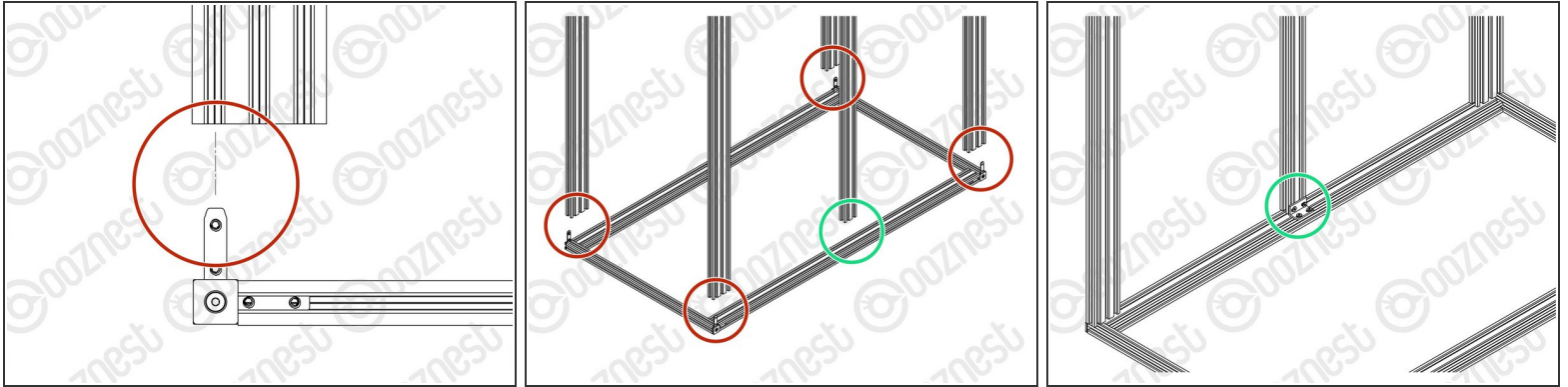
- Fix a Maker-Link onto both ends of Extrusion I (V-Slot-2020-620mm-T) using a M5-Button-Head-Bolt-8mm adding an End-Cap on top to secure it in place.
- Repeat this step for Extrusion I's

## Step 2 — Front & Back frames



- Locate Extrusion K's (V-Slot-2040 - 750mm, 1000mm or 1250mm depending on your enclosure size). Lay one of them on a flat surface and connect it to the Maker-Link on one end of an Extrusion I and tighten the grub screws.
  - Add another Extrusion K to the opposite end of the Extrusion I
- ⚠ Before proceeding this would be the time to add the panel material.**
- Close off the frame with a final Extrusion I on the opposite side.
  - This is the Back-Frame.
  - Repeat this step for a second frame assembly. Do not add panel material to this frame, as the doors will go inside this frame.
  - This is the Front-Frame.

### Step 3 — Side Extrusions

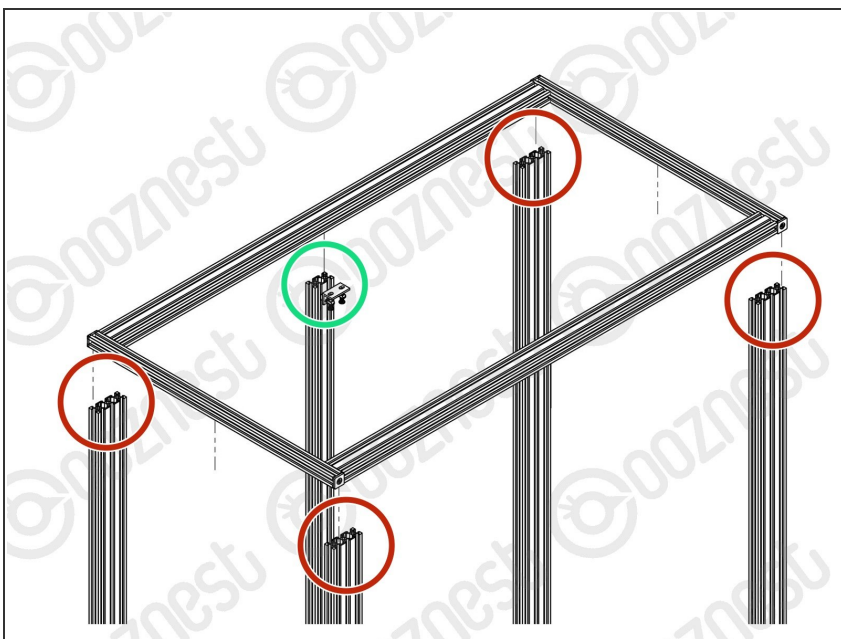


- With the Front-Frame on a flat surface slide the Extrusion L (V-Slot-2060 - 670mm, 920mm or 1170mm depending on your enclosure size), onto the 4 x Maker-Links on the Front-Frame.
- Tighten the Maker-Link grub screws until they lock the Extrusion in place.
- Secure Extrusion J (V-Slot-2040 - 670mm, 920mm or 1170mm depending on your enclosure size), centrally to Extrusion K on the Front-Frame using a Universal-L-Bracket.

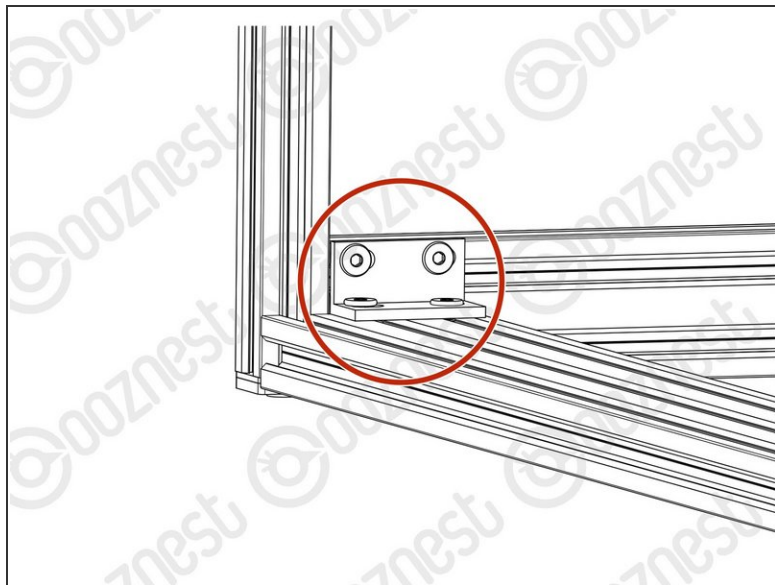
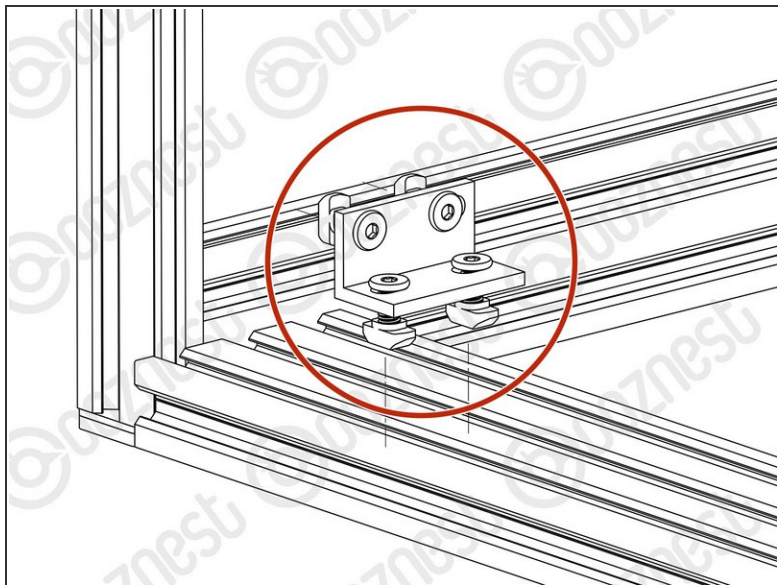
⚠ The side with the central Extrusion J is the top of the enclosure.

⚠ Before proceeding this would be the time to add the panel material either side of Extrusion J.

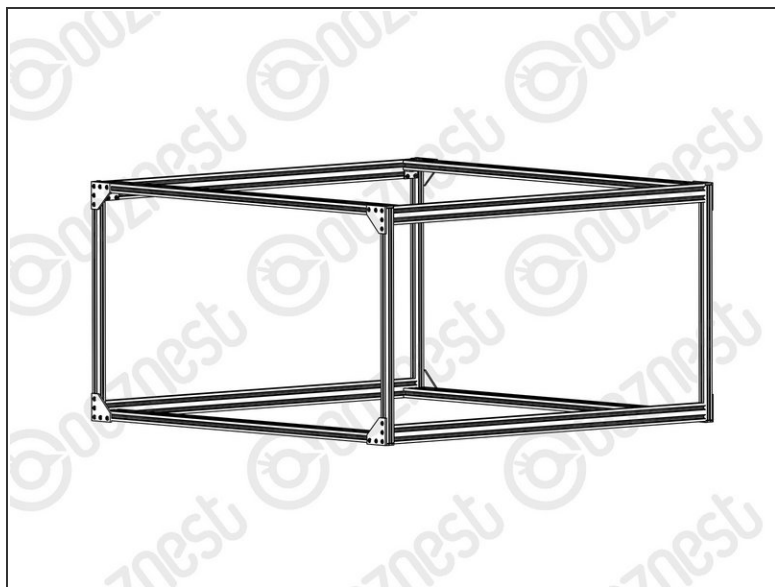
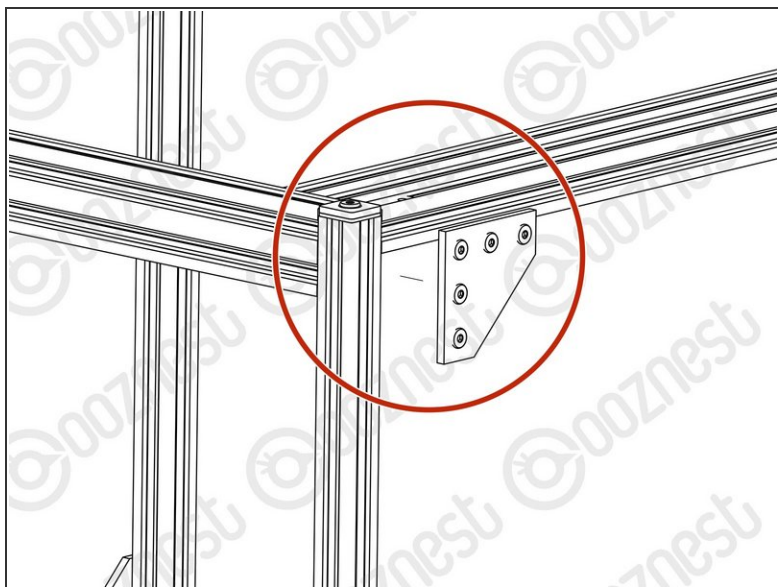
### Step 4 — Adding the Back-Frame



- Add the Back-Frame onto Extrusion L's. Tighten the Maker-Link grub screws securely.
- Secure the central Extrusion J to the Back-Frame using a Universal-L-Bracket.

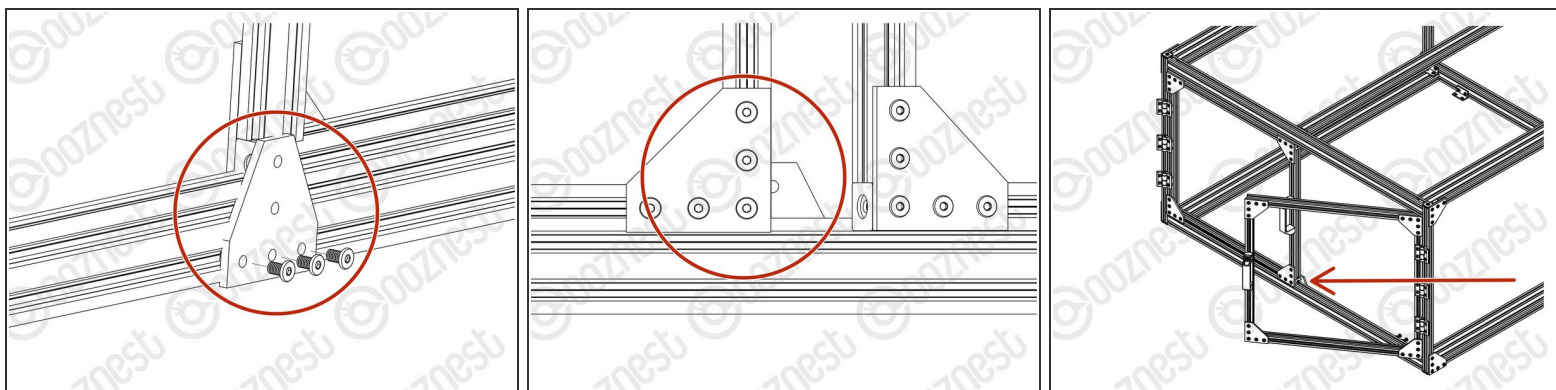
**Step 5 — Universal-L-Brackets**

- At each corner fix a Universal-L-Bracket between the Extrusion K's and Extrusion L's and tighten the M5-Button-Head-Bolt-8mm.

**Step 6 — Corner-Joining-Plates**

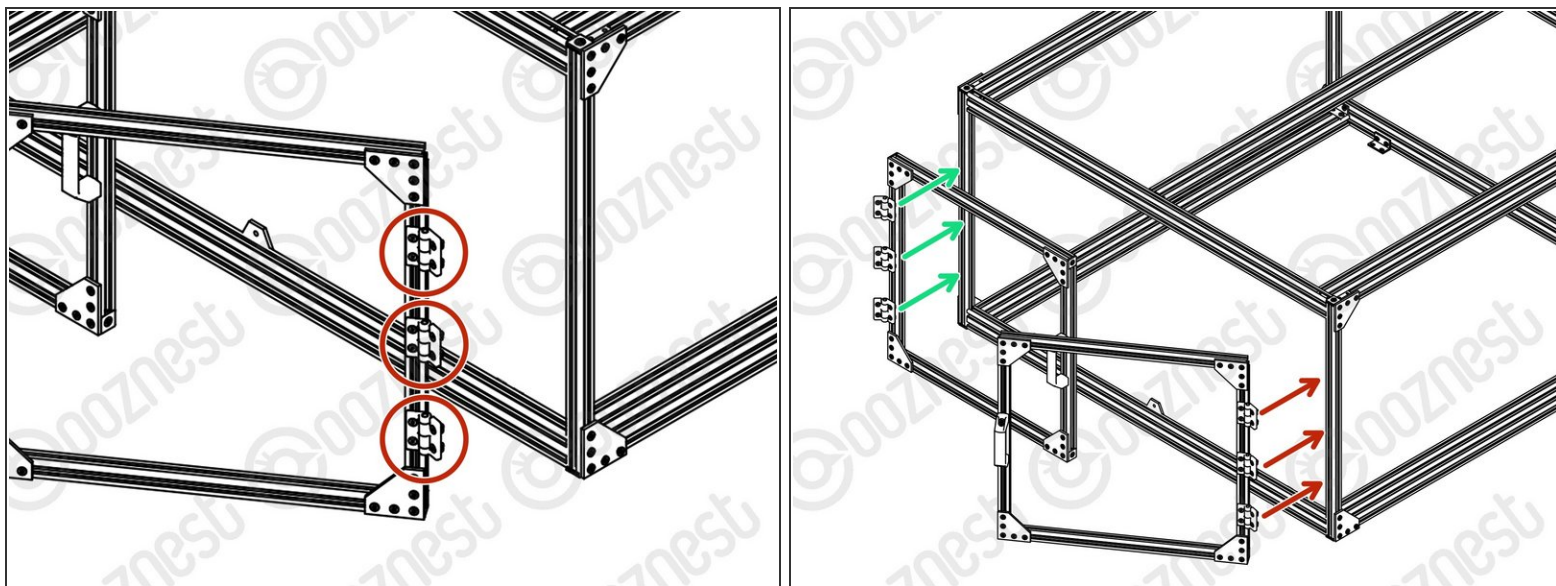
- Secure a Corner-Joining-Plate to the corners where all Extrusion I's and Extrusion L's meet.
- Repeat this for all 8 corners

## Step 7 — Door Stops



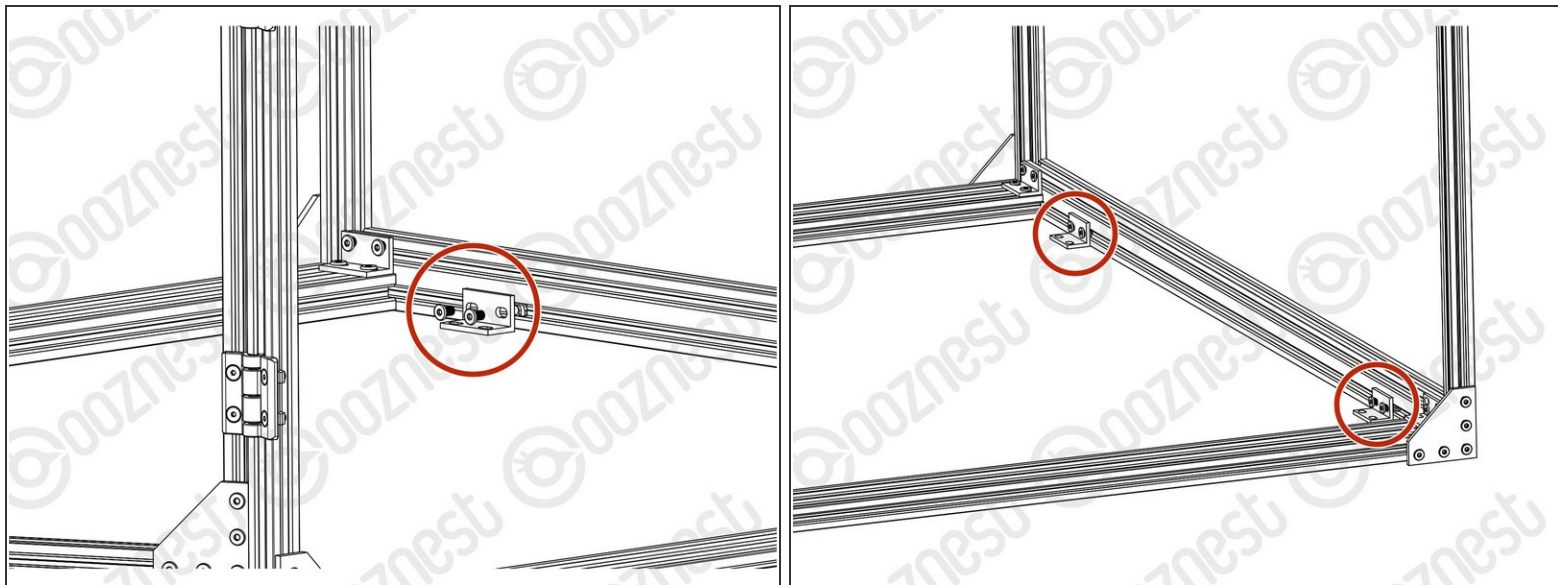
- Fix a T-Joining-Plate centrally to the bottom Extrusion K. This will function as a stop for the two doors.

## Step 8 — Mounting the Doors



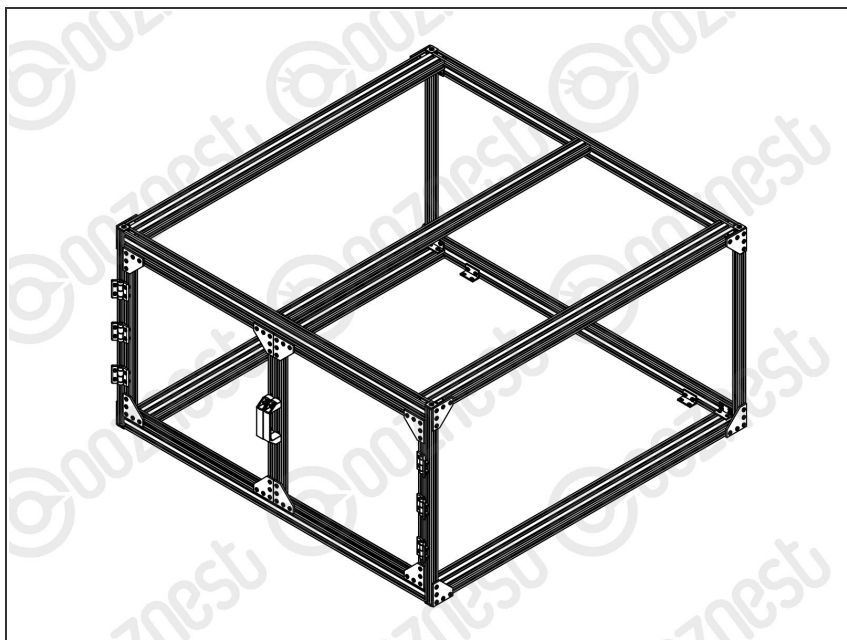
- Mount a door by attaching the Door-Hinges on the door frame to Extrusion I using M5-Button-Head-Bolt-8mm
- Take time centring the door so it does not catch on the frame extrusions.
- Repeat this step for the other door.

### Step 9 — Securing The Enclosure



- Using the Fix Down Universal-L-Bracket, fix them into Extrusion K front and back on the inside on the enclosure. These will allow you to secure the Enclosure to your work bench.

### Step 10 — Guide Complete



- ① Congratulations you have finished building your Original WorkBee Enclosure.

Thanks for following the guide. Any issues, please contact us!

This document was generated on 2026-06-09 11:47:06 AM (MST).

