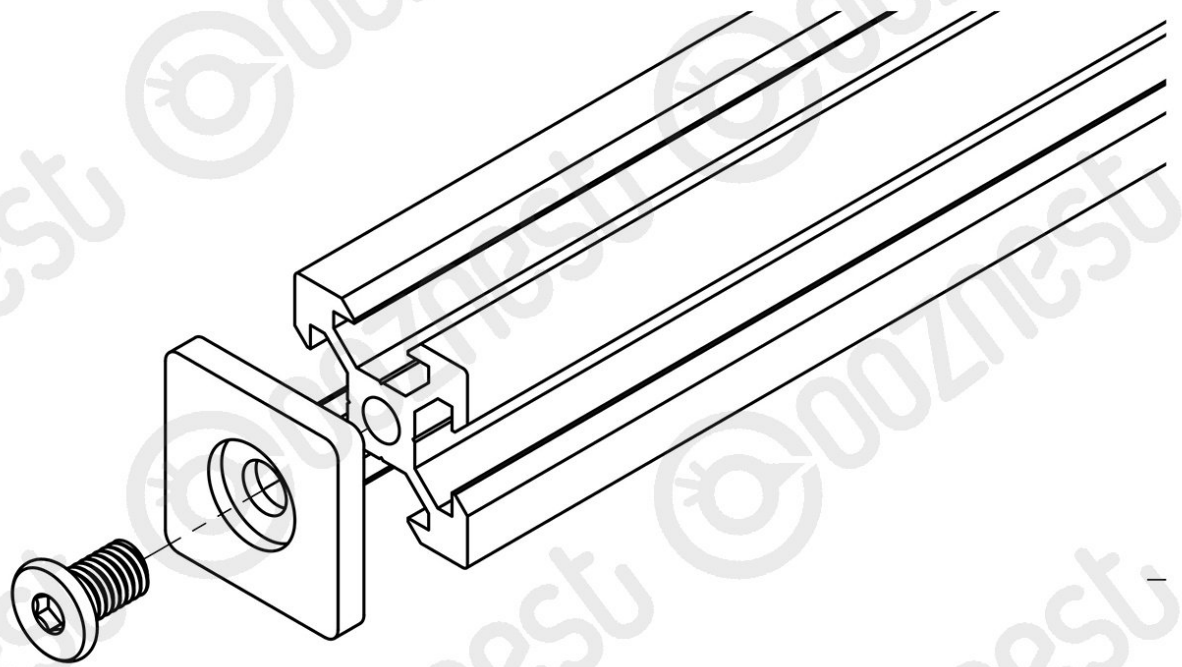


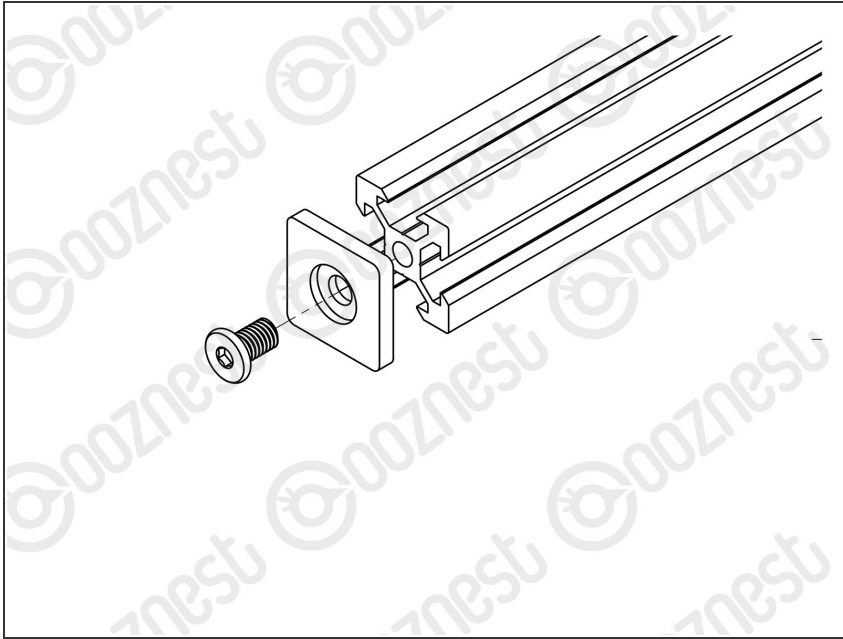


2. Assembling The Enclosure Doors

Written By: Robert

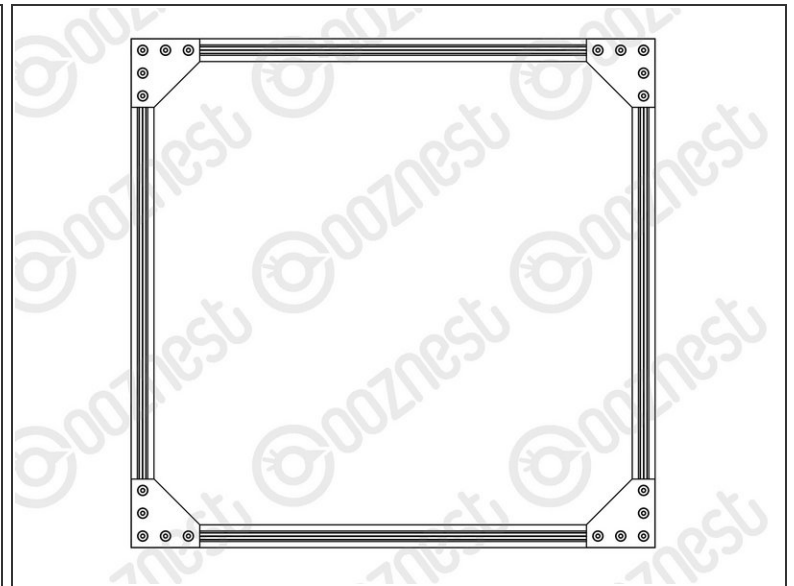
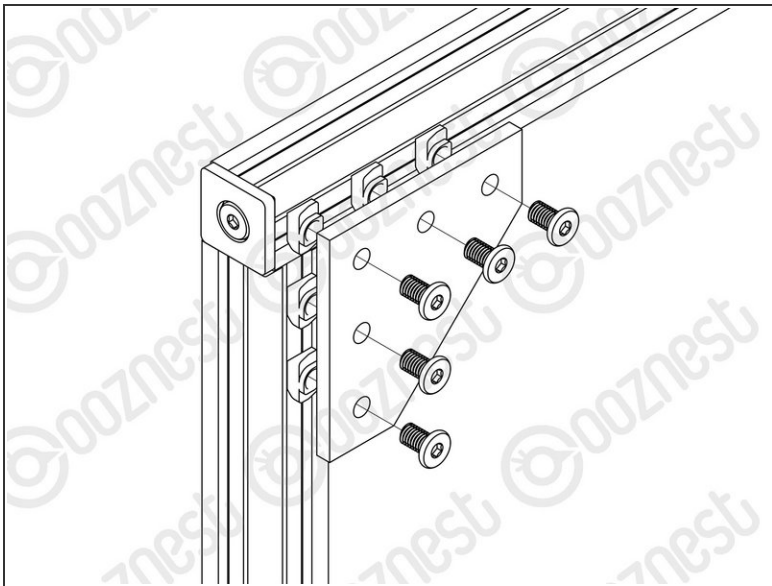


Step 1 — End Caps



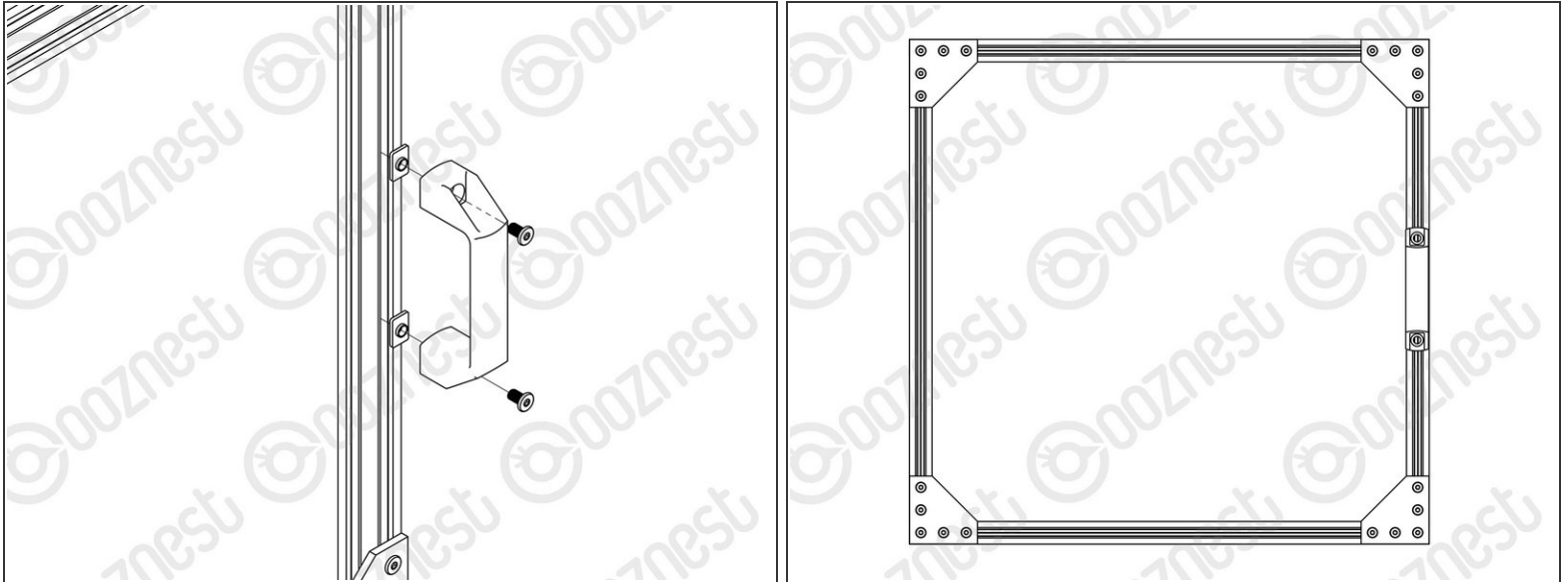
- With Extrusion G (V-Slot-2020 - 368mm, 493mm or 618mm depending on your enclosure size), secure an End-Cap to both ends of the extrusion using a M5-Button-Head-Bolt-8mm.
- Repeat this step for all four V-Slot 2020 extrusions of the same length.

Step 2 — Door Frame



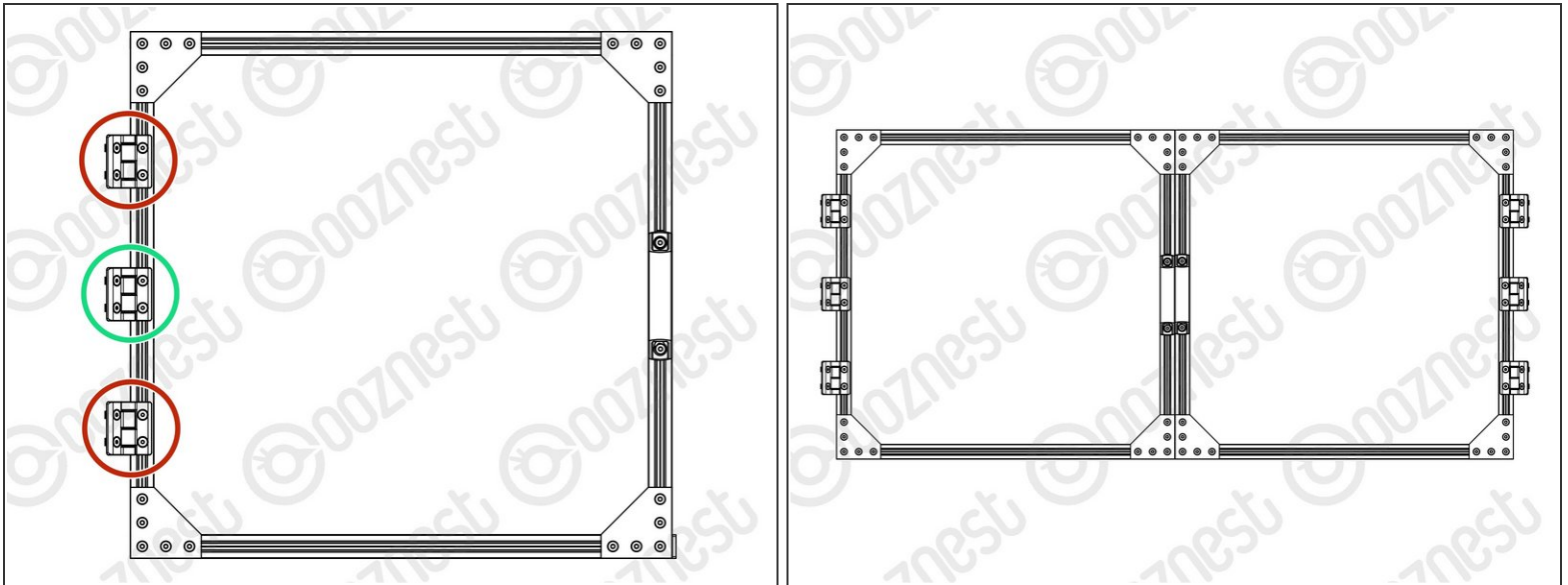
- Join the extrusions from the previous step to Extrusion H (V-Slot-2020-506mm) using the previously assembled Corner-Joining-Plates.
- Repeat this step for all four corners and repeat again to make a second door frame.
⚠ Before adding the final side, this would be the time to add the panel material.

Step 3 — Door Handles



- Using M5-Drop-In-Tee-Nuts and M5-Button-Head-Bolt-10mm, secure the Door Handle to Extrusion H at a height of your preference.
- Repeat this step for the second door frame.

Step 4 — Folding Hinges



- Place two Door-Hinges 50mm in from the edge of the Corner-Joining-Plate on Extrusion H opposite to the Door-Handle.
 - Place a third Door-Hinge in the middle.
 - Repeat for the second door frame so there is a mirrored set of doors.
- ⓘ You should now have two doors that look like Image 2.

Step 5 — Guide Complete



- Guide Complete - Proceed to [3. Assembling The Main Frame](#)

Thanks for following the guide. Any issues, please contact us!