





Label by laser print

 **LDOMOTORS.COM**
 1.8° Stepper Motor 
 LDO-42STH40-1004A #YYMMDD

Items	Specs
Phase Number	2 phases
Step Angle	1.8° ±5%
Current	DC 1.0 A / Phase
Resistance	6.5 ±15% ohm / Phase
Holding Torque	≥4.8 Kg-cm (0.48Nm)
Rotate Direction	ACBDA CW
Insulation Class	Class B
Weight	0.3 Kg REF.

REV	ECN NO	Description	Made by	Approve	Date
A	---	New Release	Xu SD	J. B.	8/28/18



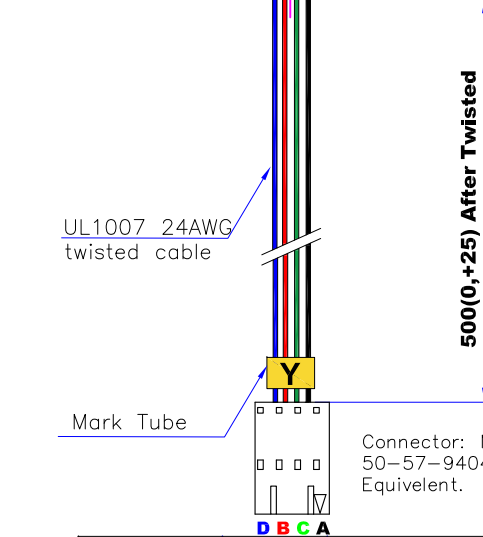
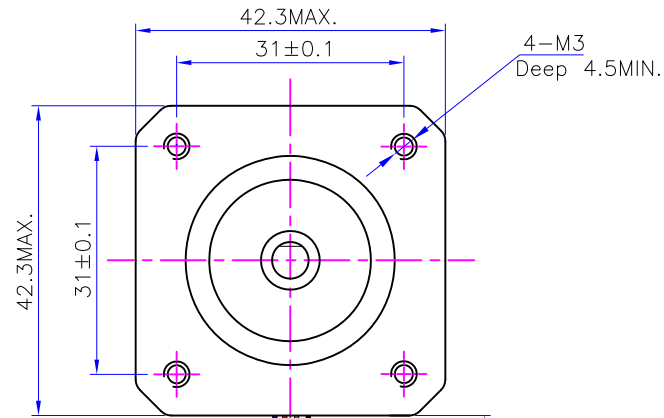
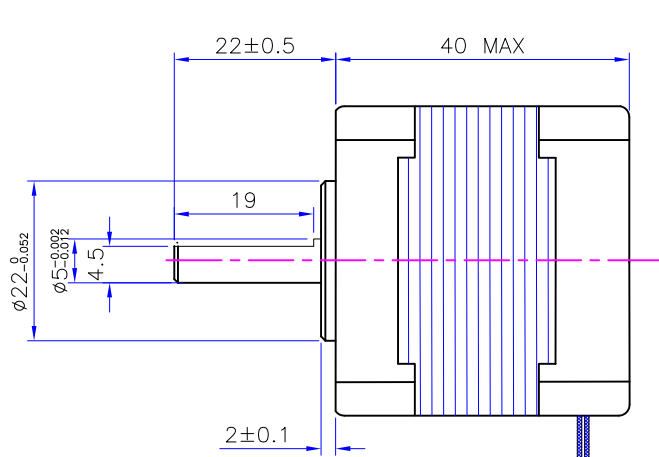


Scale

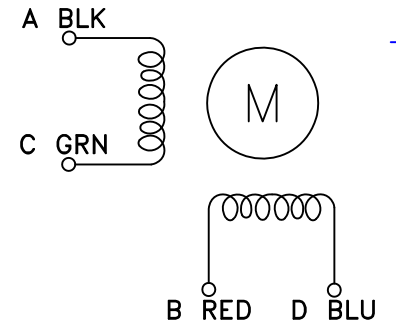
LDO MOTORS CO.,LTD

MK3 Motor X Axis

Des.	Check	Appr.	Date	Factory Code	page	1/1
------	-------	-------	------	--------------	------	-----



Diagram



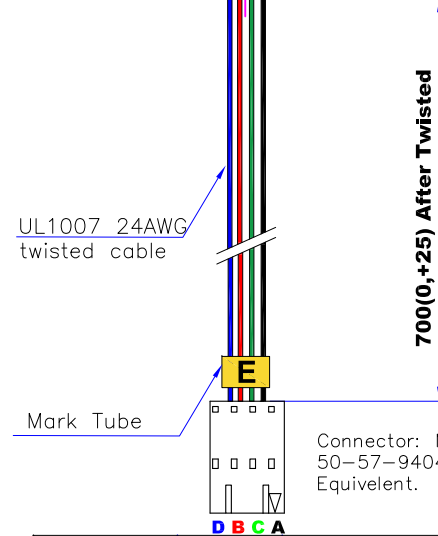
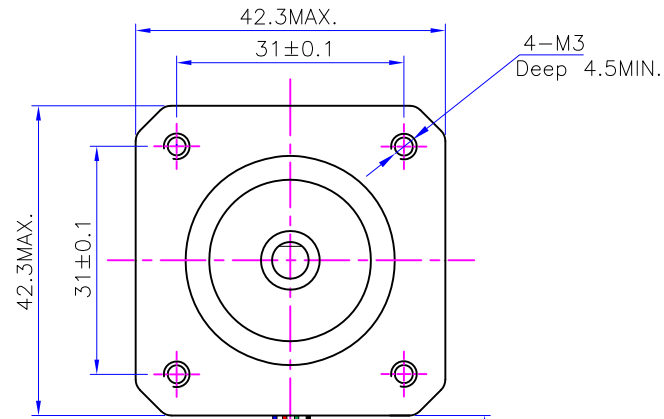
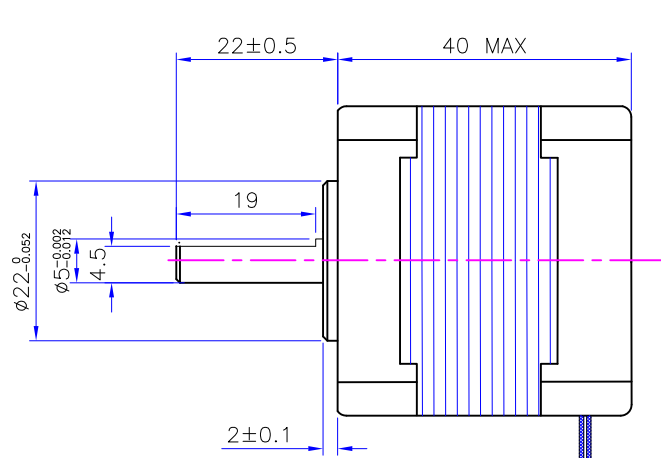
Label by laser print

LDOMOTORS.COM
 1.8° Stepper Motor
 LDO-42STH40-1004A #YYMMDD

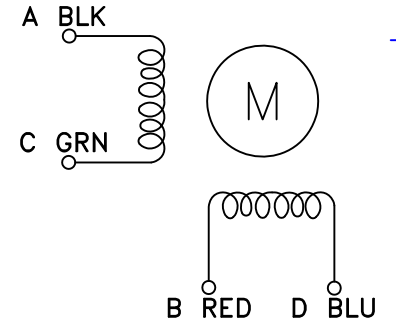
Items	Specs
Phase Number	2 phases
Step Angle	1.8° ±5%
Current	DC 1.0 A / Phase
Resistance	6.5 ±15% ohm / Phase
Holding Torque	≥4.8 Kg-cm (0.48Nm)
Rotate Direction	ACBDA CW
Insulation Class	Class B
Weight	0.3 Kg REF.

REV	ECN NO	Description	Make by	Approve	Date
A	---	New Release	Xu SD	J. B.	8/28/18



LDO MOTORS		Scale		LDO MOTORS CO.,LTD	
				MK3 Motor Y Axis	
Des.	Check	Appr.	Date	Factory Code	page 1/1




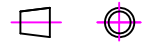
Diagram

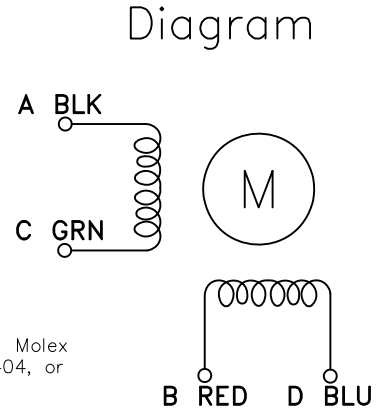
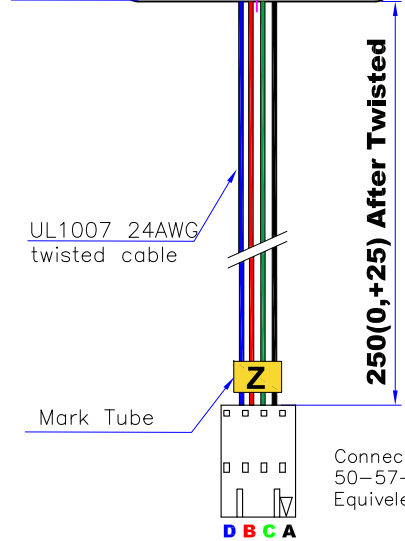
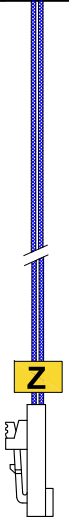
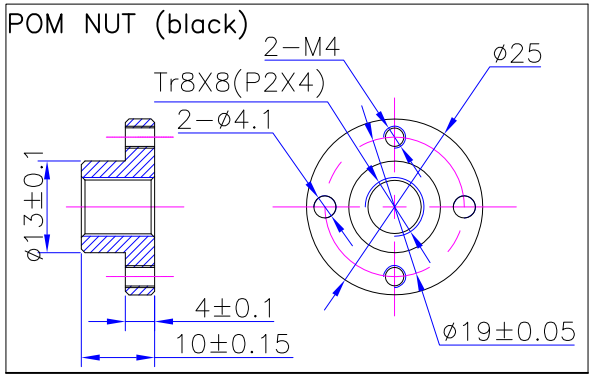
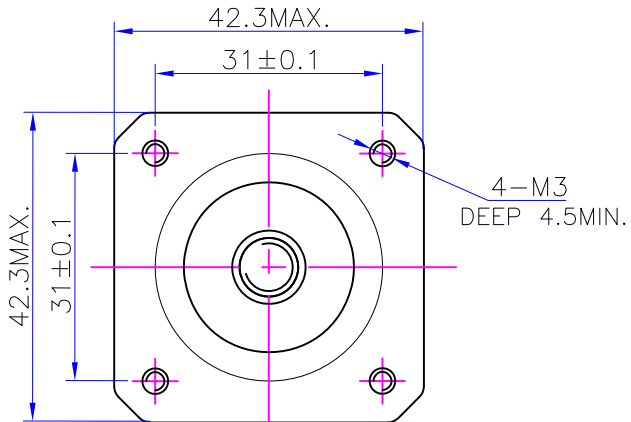
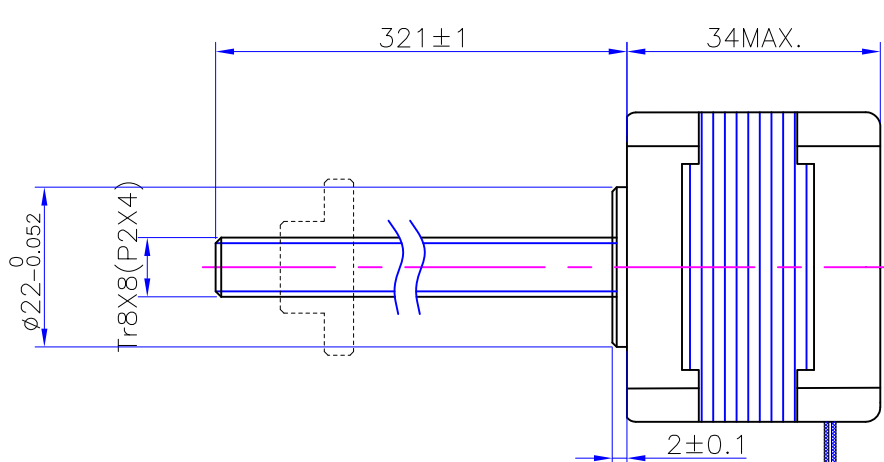


Label by laser print

 **LDOMOTORS.COM**
 1.8° Stepper Motor 
 LDO-42STH40-1004A #YYMMDD

Items	Specs
Phase Number	2 phases
Step Angle	1.8° ±5%
Current	DC 1.0 A / Phase
Resistance	6.5 ±15% ohm / Phase
Holding Torque	≥4.8 Kg-cm (0.48Nm)
Rotate Direction	ACBDA CW
Insulation Class	Class B
Weight	0.3 Kg REF.

REV	ECN NO	Description	Made by	Approve	Date
A	---	New Release	Xu SD	J. B.	8/28/18
				LDO MOTORS CO.,LTD	
				MK3 Motor Extruder	
Des.	Check	Appr.	Date	Factory Code	page 1/1

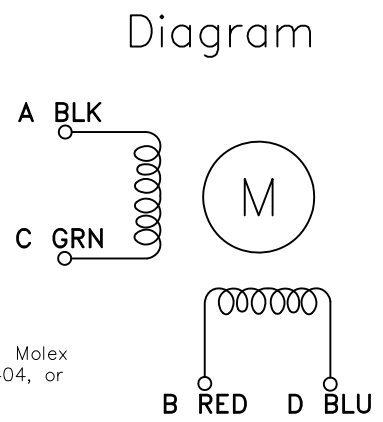
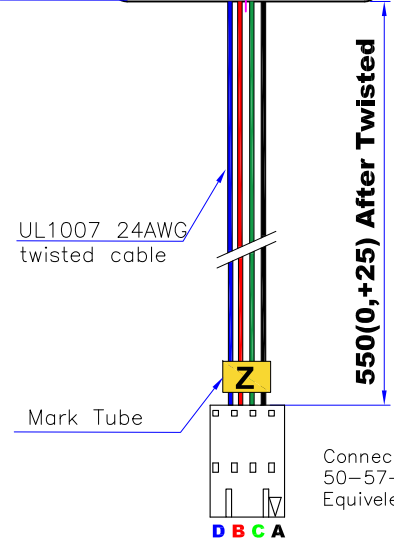
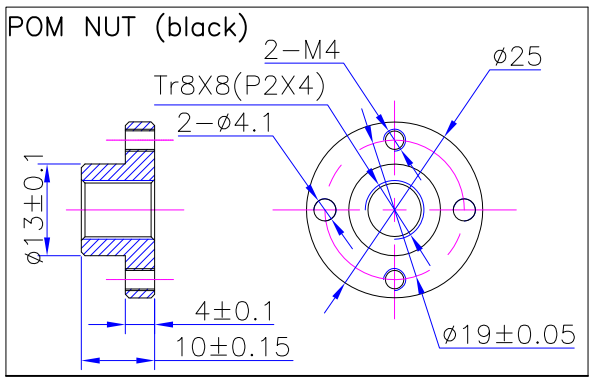
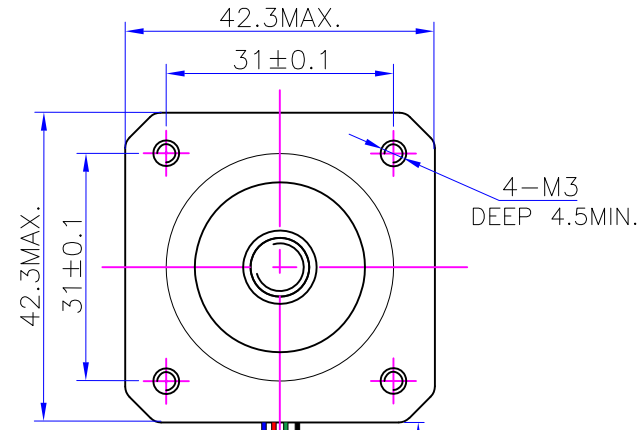
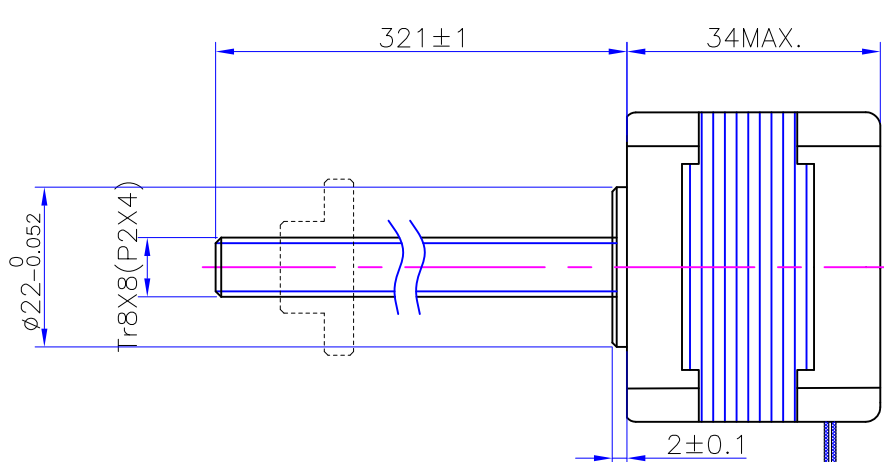


Items	Specs
Phase Number	2 phases
Step Angle/Length	1.8° ±0.09° / 0.04mm
Current	DC 1.0 A / Phase
Resistance	8.0 ±15% ohm / Phase
Push Force	≥11 Kg(107 N)
Rotate Direction	ACBDA CW
Insulation Class	Class B
Weight	0.3 Kg REF.

Label by laser print



A	---	New Release	Xu SD	J.B.	8/28/18
REV	ECN	Description	Made	Appr	Date
		View		LDO MOTORS CO.,LTD	
		Scale	1: 1	MK3 Motor Z Left	
Des	Check	Appr	Date	Factory Code	page



Items	Specs
Phase Number	2 phases
Step Angle/Length	1.8° ±0.09° / 0.04mm
Current	DC 1.0 A / Phase
Resistance	8.0 ±15% ohm / Phase
Push Force	≥11 Kg(107 N)
Rotate Direction	ACBDA CW
Insulation Class	Class B
Weight	0.3 Kg REF.

Label by laser print



A		---	New Release		Xu SD	J.B.	8/28/18
REV	ECN	Description		Made	Appr	Date	
LDO MOTORS		View		LDO MOTORS CO.,LTD			
		Scale	1: 1	MK3 Motor Z Right			
Des	Check	Appr	Date	Factory Code			page